

mailboxesgb



## Bespoke Mailbox Solutions

Mailboxes GB - the UK's leading independent supplier and distributor for banks of mailboxes

01922 452111 [www.mailboxesgb.co.uk](http://www.mailboxesgb.co.uk)



## ABOUT US

**Mailboxes GB has established itself as the UK's leading independent supplier and distributor of banks of post boxes and letter boxes to the construction industry. We have over 15 years' experience in the mailbox marketplace, so our knowledge and expertise come as standard.**

Mailboxes GB deals with multiple post box manufacturers, and can offer a comprehensive range of products from Secure by Design & Fire Rated post boxes through to contemporary / minimalist designed letter boxes, to suit your design intent.

Ultimately, our expertise and experience lend itself best to listening to our customers' requirements. If you are unsure as to which style of post box or letter box would be most suitable, we can give impartial advice on choosing an appropriate specification.

When you receive a quotation from Mailboxes GB you will also receive a dimensions elevation – our free drawing service allows clients to see how a bank of post boxes fits into a project. If necessary, we can also conduct a site survey to make sure that the specified units are suitable for their intended environment.

And our website offers a selection of the complete range available; we have access to mailboxes not normally available for the UK market.

Whatever your needs are, however much space you have available, whenever you want delivery, Mailboxes GB can help.

Ignore the smaller imitators out there. Our dedicated team is waiting to hear from you, with production and assembly ready to make sure you get your goods on time.



# CONTENTS

1280FR FIRE RATED MAILBOX	Page 4
1325FR FIRE RATED MAILBOX	Page 5
SECURED BY DESIGN TS009 MAILBOX	Page 6
SECURED BY DESIGN TS009/2 DUEL MAILBOX	Page 7
CONSOLE 1 MAILBOX	Page 8
CONSOLE 2 MAILBOX	Page 9
CONSOLE 5 MAILBOX	Page 10
CONSOLE 6 MAILBOX	Page 11
2385F AND 2385F CURVE MAILBOXES	Page 12
2270F MAILBOX	Page 13
2300V MAILBOX	Page 14
PL3000F, PL2600F AND PL7000C MAILBOXES	Page 15
SURROUNDS AND LEG STANDS	Page 16
ACCESSORIES	Page 17
LOCKING OPTIONS	Page 18
COLOUR FINISHES	Page 19
SINGLE MAILBOXES	Page 20 - 21
PARCEL BOXES	Page 22 - 23
KEY CABINETS	Page 24
CIGARETTE BINS	Page 25
BIKE RACKS	Page 26
ACCESS PANELS	Page 27



## THERE ARE SO MANY OPTIONS AVAILABLE, BELOW IS A SIMPLE GUIDE TO HELP YOU CONSIDER YOUR REQUIREMENTS

<p><b>REQUIREMENT</b></p> <p>Mail boxes, parcel boxes, or a combination of both.</p>	<p><b>LOCATION</b></p> <p>Internal or external.</p>	<p><b>POSITION</b></p> <p>Mounted on the wall, recessed, through the wall or freestanding.</p>
<p><b>QUANTITY REQUIRED</b></p> <p>Arranged as an individual box or banks of any size.</p>	<p><b>SPACE AVAILABLE</b></p> <p>Overall dimensions free from obstructions.</p>	<p><b>STANDARDS</b></p> <p>EN 13724, Fire Rated BS 476 - Part 22, Class 0 - Part 6 &amp; 7.</p>
<p><b>SIZE OF BOXES</b></p> <p>To accept standard A4 mail, A3 mail, parcels or larger quantities of mail.</p>	<p><b>PROFILE OF SITE</b></p> <p>Affordable, Private, Luxury, Commercial, Social or Domestic.</p>	<p><b>FINISHES</b></p> <p>Polyester powder coated (single/multi coloured) stainless steel or other.</p>
<p><b>LOCKING OPTIONS</b></p> <p>Standard cam lock, specialist colour, digital locking, SALTO, electronic.</p>	<p><b>IDENTIFICATION</b></p> <p>Engraving or specialist vinyls.</p>	<p><b>EXTRAS</b></p> <p>Door entry systems, trims, stands, cladding, lighting.</p>



## 1280FR FIRE RATED MAILBOX

VERTICAL FIRE RATED MAILBOX.  
PERFECT FOR WALL MOUNTING/RECESSED INSTALLATION  
DUE TO ITS SHALLOW DEPTH.



### Introducing the Fire Rated 1280FR mailbox from MAILBOXESGB

When fire safety is key, look no further that our range of fire rated mailboxes. Conforming to fire rating criteria specified by Warrington fire in BS 476 part 6 & 7. Our Mailboxes have intumescent lining to both the flap and door, providing a fire rating (integral) of 60 minutes.

Suitable for Vertically A4 mail for front entry and retrieval, to offer security to the end user, and of course security for their mail!

All boxes have a lockable door, security lock and anti-theft lip. They are supplied with 2 numbered keys and an option for engraved numbering.

#### Specifications

- 2.0 mm Galvanized steel mailbox, body and door
- 10mm intumescent strip around the door and flap, for fire rating integrity (60 minutes internal).
- Mailbox Dimensions - 280 x 390 x 130mm (width, height, depth)
- Aperture - 235 x 35mm (width, height)
- Anti-theft lip to inner aperture.
- Security lock: - Each mailbox is supplied with 2 keys as standard.
- Locks are available being Master Key Compatible.
- Weight 3.0kgs
- Mailbox conforms to Secure by design 2019.

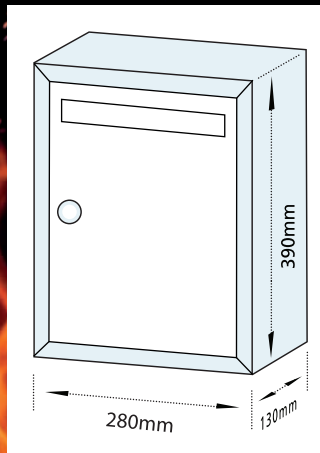
#### Finishes

RAL POLYESTER POWDER COAT

#### Additional Options

VINYL NUMBERS/LETTERS  
(No Constraints as we price per font & letter)

PERMANENT ENGRAVING TO FLAP  
(10 characters maximum)



# 1325FR FIRE RATED MAILBOX

HORIZONTAL FIRE RATED  
MAILBOX.

PERFECT FOR LARGE  
QUANTITIES OF BOXES TO  
BE SECURED IN A SMALL  
AREA

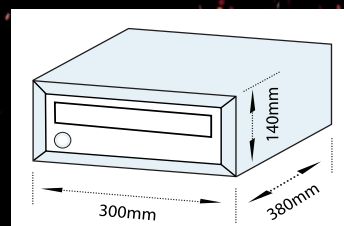


## Introducing the Fire Rated 1325FR mailbox from MAILBOXESGB

When fire safety is key, look no further that our range of fire rated mailboxes. Conforming to fire rating criteria specified by Warrington fire in BS 476 part 6 & 7. Our Mailboxes have intumescent lining to both the flap and door, providing a fire rating (integral) of 60 minutes

Suitable for Horizontal A4 mail for front entry and retrieval, to offer security to the end user, and of course security for their mail!

All boxes have a lockable door, security lock and antitheft lip. They are supplied with 2 numbered keys and an option for engraved numbering.



### Finishes

RAL POLYESTER POWDER COAT

### Additional Options

VINYL NUMBERS/LETTERS  
(No Constraints as we price per font & letter)

PERMANENT ENGRAVING TO FLAP  
(10 characters maximum)

### Specifications

2.0 mm Galvanized steel mailbox, body and door

10mm intumescent strip around the door and flap, for fire rating integrity (60 minutes internal).

Mailbox Dimensions - 300 x 140 x 380mm (width, height, depth)

Aperture - 235 x 25mm (width, height)

Anti-theft lip to inner aperture.

Security lock: - Each mailbox is supplied with 2 keys as standard.

Locks are available being Master Key Compatible.

Weight 3.0kgs

Mailbox conforms to Secure by design 2019.



## CERTIFIED MB TS009

THE MOST SECURE  
MODELS ON THE MARKET

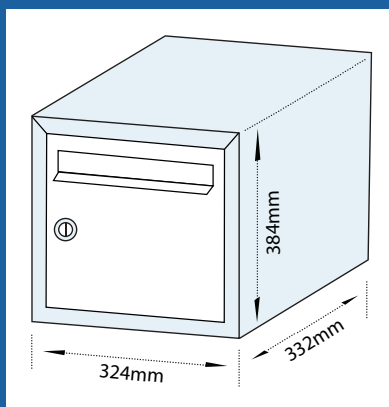


## MB TS009

Its design ensures it is naturally resilient to different attacks and noise pollution, produced from traditional front door drillings via letterbox installation.

Research highlighted all potential aspects to protect against, including lock manipulation (picking), car theft (keys - anti fishing device), ID theft (steal mail when you're out), arson attacks (flammable substances and matches through letterboxes), thermal co-efficiency (due to EPC rates) etc.

An MBTS009 6 pin security rim lock, conforming to EN1303:2005 Grade 4 provides extra security, with 2 keys.



### Finishes

RAL POLYESTER POWDER COAT

### Additional Options

WEATHERPROOF VINYL STICKERS  
(No Constraints as we price per font and letter)

PERMANENT ENGRAVING TO FLAP  
(15 characters maximum)

### Specifications

1.5mm zintec steel mailbox, body and door.

Mailbox Dimensions - 324 x 384 x 332mm (width, height, depth)

Aperture - 230 x 35mm (width, height)

Anti-theft lip to inner aperture.

Security lock: - EN1303 Security 6 pin rim lock (100,000 differs), each mailbox is supplied with 2 keys as standard.

Locks are available being Master Key Compatible.  
(Master Keys are only available through Mailboxes GB Ltd.)

Weight 6.0kgs

10 Year Guarantee





## CERTIFIED MB TS009/2 DUAL

THE MOST SECURE MODELS ON  
THE MARKET



**BRAND  
NEW  
PRODUCT**  
The Worlds First

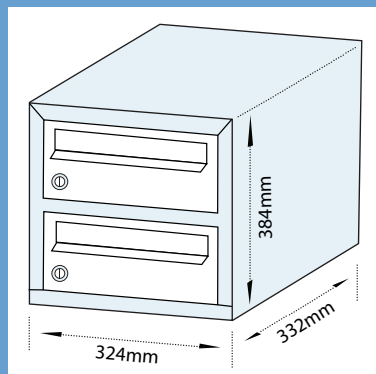


## MB TS009/2 DUAL

Its design ensures it is naturally resilient to different attacks and noise pollution, produced from traditional front door drillings via letterbox installation.

Research highlighted all potential aspects to protect against, including lock manipulation (picking), car theft (keys - anti fishing device), ID theft (steal mail when you're out), arson attacks (flammable substances and matches through letterboxes), thermal co-efficiency (due to EPC rates) etc.

An MBTS009 6 pin security rim lock, conforming to EN1303:2005 Grade 4 provides extra security, with 2 keys.



### Specifications

1.5mm zintec steel mailbox, body and door.

Mailbox Dimensions - 324 x 384 x 332mm (width, height, depth)

Aperture - 230 x 35mm (width, height)

Anti-theft lip to inner aperture.

Security lock: - EN1303 Security 6 pin rim lock (100,000 differs), each mailbox is supplied with 2 keys as standard.

Locks are available being Master Key Compatible. (Master Keys are only available through Mailboxes GB Ltd.)

Weight 6.0kgs

10 Year Guarantee

### Finishes

RAL POLYESTER POWDER COAT

### Additional Options

WEATHERPROOF VINYL STICKERS  
(No Constraints as we price per font and letter)

PERMANENT ENGRAVING TO FLAP  
(15 characters maximum)





# CONSOLE 1 HORIZONTAL MAILBOX

CONFORMS TO:  
SECURED BY DESIGN – HOMES 2019 GUIDELINES  
SECTION 2A : PART 21



## CONSOLE 1

When you need to accommodate a large number of units in a small area, the horizontal Console 1 mailbox is the perfect solution.

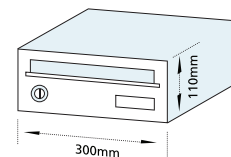
The Console 1 is one of our popular units, ideal for large scale, high concentration projects. The Console 1 is designed for internal and external with weather proof surround use, for wall application or freestanding installation and conforms to EN13724. Accepts A4 sizes mail.

### Finishes

- RAL POLYESTER POWDER COAT
- SILVER / BRONZE ANODISED
- SATIN STAINLESS STEEL

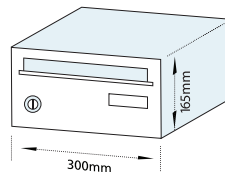
### Additional Options

- BLANK DOOR
- ENGRAVED TO FLAP
- NAMEPLATE / WITHOUT N/P
- ADDITIONAL KEYS
- LEG SUPPORTS
- MASTER KEYED LOCKS



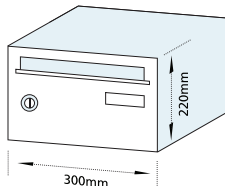
### Console 1S

300mm wide x 110mm high  
x 380mm deep



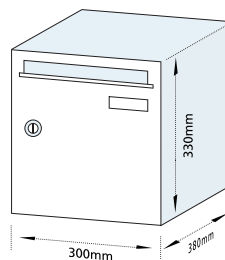
### Console 1M

300mm wide x 165mm high  
x 380mm deep



### Console 1L

300mm wide x 220mm high  
x 380mm deep



### Console 1XL

300mm wide x 330mm high  
x 380mm deep

### Aperture Size for all

265mm wide x 35mm high

MODULAR MAILBOXES  
BESPOKE DESIGN  
YOUR LAYOUT





# CONSOLE 2 VERTICAL MAILBOX

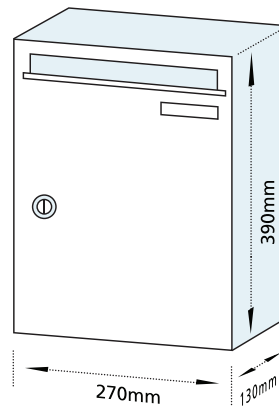
CONFORMS TO:  
SECURED BY DESIGN –  
HOMES 2019 GUIDELINES  
SECTION 2A : PART 21



## CONSOLE 2

Suited to smaller blocks of apartments, the Console 2 is designed not to project to far from the wall or to be obtrusive.

It can be situated externally or internally with weather proof surround for wall application or freestanding installation and conforms to EN13724. 130mm deep body, perfect for narrow areas. Accepts A4 sizes mail.



### Console 2

270mm wide x 390mm high  
x 130mm deep

### Aperture Size for all

230mm wide x 35mm high

### Finishes

- RAL POLYESTER POWDER COAT
- SILVER / BRONZE ANODISED
- SATIN STAINLESS STEEL

### Additional Options

- BLANK DOOR
- ENGRAVED TO FLAP
- NAMEPLATE / WITHOUT N/P
- ADDITIONAL KEYS
- LEG SUPPORTS
- MASTER KEYED LOCKS





# CONSOLE 5 HORIZONTAL MAILBOX

CONFORMS TO:  
SECURED BY DESIGN – HOMES 2019 GUIDELINES  
SECTION 2A : PART 21

## CONSOLE 5

When you need to accommodate a large number of units in a small area, the horizontal Console 5 mailbox is the perfect solution.

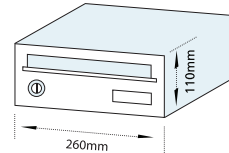
Also known as 'space saving' mailboxes, the Console 5 is one of our most popular unit, ideal for large scale, high concentration projects. The Console 5 is designed for internal and external use, for wall application or freestanding installation and conforms to EN13724.

### Finishes

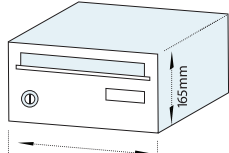
- RAL POLYESTER POWDER COAT
- SILVER / BRONZE ANODISED
- SATIN STAINLESS STEEL

### Additional Options

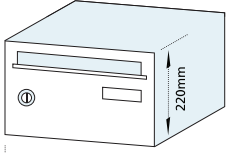
- BLANK DOOR
- ENGRAVED TO FLAP
- NAMEPLATE / WITHOUT N/P
- ADDITIONAL KEYS
- LEG SUPPORTS
- MASTER KEYED LOCKS



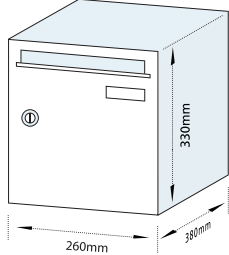
**Console 5S**  
260mm wide x 110mm high  
x 380mm deep



**Console 5M**  
260mm wide x 165mm high  
x 380mm deep



**Console 5L**  
260mm wide x 220mm high  
x 380mm deep



**Console 5XL**  
260mm wide x 330mm high  
x 380mm deep

**Aperture Size for all**  
230mm wide x 30mm high

MODULAR MAILBOXES  
BESPOKE DESIGN  
YOUR LAYOUT





# CONSOLE 6 HORIZONTAL MAILBOX

EXTRA WIDE MAILBOXES

## CONSOLE 6

Similar to the Console 1 mailbox, the Console 6 horizontal unit lends itself to longer, narrower lobby areas.

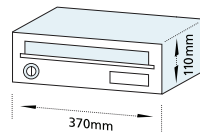
Suitable for large scale, high concentration projects. It is designed for internal and external use with weather proof surround, for wall application or freestanding installation and conforms to EN13724.

### Finishes

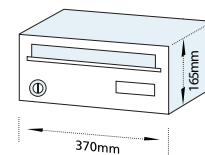
- RAL POLYESTER POWDER COAT
- SILVER / BRONZE ANODISED
- SATIN STAINLESS STEEL

### Additional Options

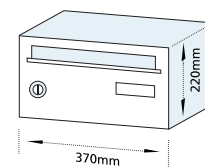
- BLANK DOOR
- ENGRAVED TO FLAP
- NAMEPLATE / WITHOUT N/P
- ADDITIONAL KEYS
- LEG SUPPORTS
- MASTER KEYED LOCKS



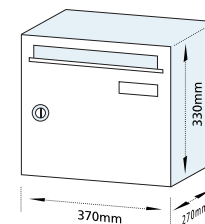
**Console 6S**  
370mm wide x 110mm high  
x 270mm deep



**Console 6M**  
370mm wide x 165mm high  
x 270mm deep



**Console 6L**  
370mm wide x 220mm high  
x 270mm deep



**Console 6XL**  
370mm wide x 330mm high  
x 270mm deep

**Aperture Size for all**  
325mm wide x 35mm high

MODULAR MAILBOXES  
BESPOKE DESIGN  
YOUR LAYOUT



# 2385F and 2385F CURVE HORIZONTAL MAILBOX

EXTRA WIDE MAILBOXES WITH A DIFFERENCE



## 2385f and 2385f Curve

The 2385f and 2385f Curve mailbox is a space-saving unit designed for large scale high concentration projects.

Suitable for internal or external use with weather proof surround, for wall application or freestanding installation and conforms to EN13724. Now in stock, banks can be delivered to site in 10 working days (standard finishes only). Modular construction means that the replacement/spares components are readily available.

### Finishes

- RAL POLYESTER POWDER COAT
- SILVER / BRONZE ANODISED
- SATIN STAINLESS STEEL

### Additional Options

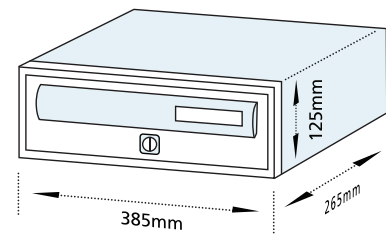
- BLANK DOOR
- ENGRAVED TO FLAP
- NAMEPLATE / WITHOUT N/P
- ADDITIONAL KEYS
- LEG SUPPORTS
- MASTER KEYED LOCKS
- 3 POINT LOCKING

### 2385f and 2385f Curve

385mm wide x 125mm high x 265mm deep

### Aperture Size for all

325mm wide x 30mm high





# 2270F HORIZONTAL MAILBOX

CONFORMS TO:  
SECURED BY DESIGN – HOMES 2019 GUIDELINES  
SECTION 2A : PART 21



## 2270f

Similar to the Console 5 mailbox, the 2270f is a space-saving unit designed for high concentration / mixed use projects.

Suitable for internal and external use with weather proof surround, for wall application or freestanding installation. It conforms to EN13724. Modular construction means that replacement/spare components are readily available.

### Finishes

- RAL POLYESTER POWDER COAT
- SILVER / BRONZE ANODISED
- SATIN STAINLESS STEEL

### Additional Options

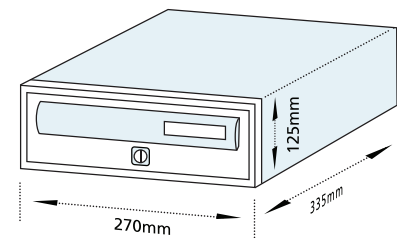
- BLANK DOOR
- ENGRAVED TO FLAP
- NAMEPLATE / WITHOUT N/P
- ADDITIONAL KEYS
- LEG SUPPORTS
- MASTER KEYED LOCKS

### 2270f

270mm wide x 125mm high  
x 335mm deep

### Aperture Size for all

230mm wide x 30mm high





## 2300V VERTICAL MAILBOX

CONFORMS TO:  
SECURED BY DESIGN – HOMES 2019 GUIDELINES  
SECTION 2A : PART 21

## 2300V

A direct alternative to the Console 2 mailbox, this aluminium mailbox has a slightly larger capacity and a more robust anti-theft device.

**It is also available with a three-point locking system.**

Suitable for internal or external use with weather proof surround, for wall application or freestanding installation and conforms to EN13724. Modular construction means that the replacement/spares components are readily available.

### Finishes

- RAL POLYESTER POWDER COAT
- SILVER / BRONZE ANODISED
- SATIN STAINLESS STEEL

### Additional Options

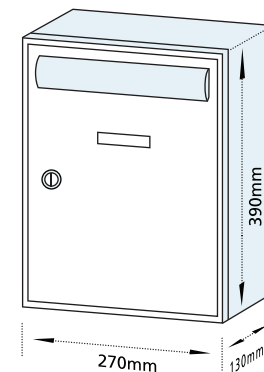
- BLANK DOOR
- ENGRAVED TO FLAP
- NAMEPLATE / WITHOUT N/P
- ADDITIONAL KEYS
- LEG SUPPORTS
- MASTER KEYED LOCKS
- 3 POINT LOCKING

### 2300v

270mm wide x 390mm high  
x 130mm deep

### Aperture Size for all

237mm wide x 32mm high





# PL3000f, PL2600f AND PL7000c HORIZONTAL /CHUTED MAILBOX

CONFORMS TO:  
SECURED BY DESIGN –  
HOMES 2019 GUIDELINES  
SECTION 2A : PART 21

## PL3000f, PL2600f and PL7000c

These front-entry, rear-retrieval units are designed to be incorporated within door entrance panels as well as through cavity walls.

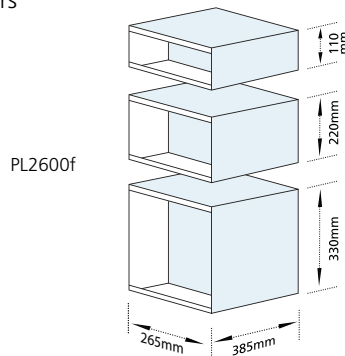
The 1-piece front plate can be manufactured to any size, and is also available as a 24mm thick thermal bridge, which fits within a double glazing profile. Internal doors can be powder coated to any RAL finish, anodised bronze, anodised silver and stainless steel.

### Finishes

- RAL POLYESTER POWDER COAT
- SILVER / BRONZE ANODISED
- SATIN STAINLESS STEEL

### Additional Options

- BLANK DOOR / FLAP
- ENGRAVED TO FLAP
- NAMEPLATE
- INTERCOM GRILLE / BUTTONS
- ADDITIONAL KEYS
- REMOVE PERSPEX WINDOW
- EXTERNAL USE
- 24mm (thermal Bridge)
- 1 PIECE FRONT PLATE
- MASTER KEYED LOCKS

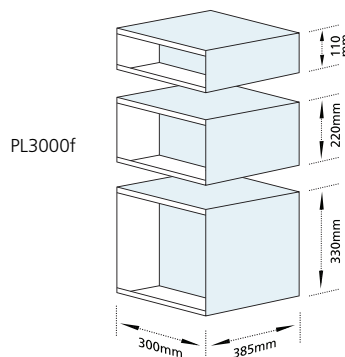


### PL3000f (Horizontal)

300mm wide x 110/220/330mm high x 380mm deep

### Aperture Size for all

265mm wide x 30mm high

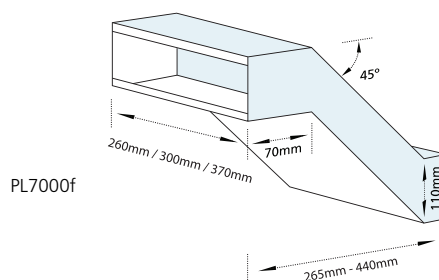


### PL2600f (Horizontal)

260mm wide x 110/220/330mm high x 380mm deep

### Aperture Size for all

230mm wide x 30mm high



### PL7000f (Chuted)

300mm wide x 110mm high x 265-440mm deep

### Aperture Size for all

265mm wide x 30mm wide x 30mm high

## SURROUNDS



### ep surround

- 2mm thick steel / aluminium sheet clad, to RAL polyester powder coat, anodised aluminium or satin stainless steel finish.
- Hides rivet holes and joins of mailboxes.



### prd surround

- 25mm thick extruded aluminium cladding with radius corners, to RAL ppc or anodised aluminium finish.
- Hides rivet holes and joins of mailboxes.
- Weatherproof.



### pe surround

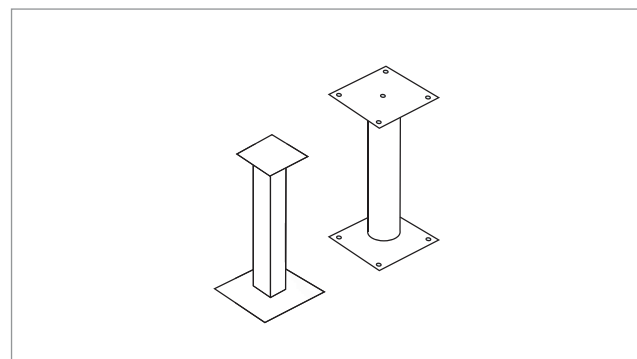
- 25mm x 25mm L profile, to RAL ppc, anodised aluminium or satin stainless steel finish.
- Fits flush with the front of mailboxes.
- When the bank is recessed into wall, the surround hides the aperture cut in the wall.

## LEG STANDS



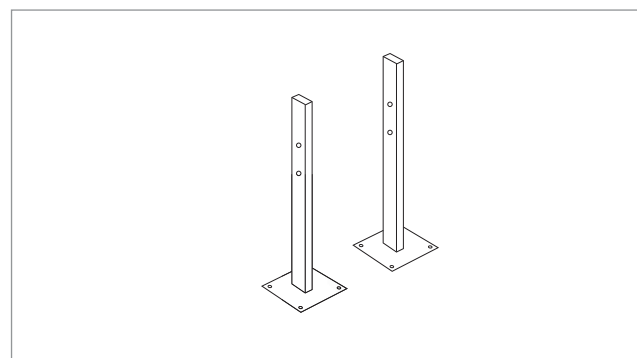
### Table Support

- 25mm Steel Square Tube
- Cut to suit bank size
- RAL polyester powder coat



### rfl stand

- Tubular pedestal legs / supports, manufactured to 600mm and 900mm standard heights. Other heights available on request.
- RAL polyester powder coat or satin stainless steel finish.



### pfel stand

- Square section lateral support legs, manufactured to 1600mm standard height. Other heights available on request.
- RAL polyester powder coat or satin stainless steel finish.

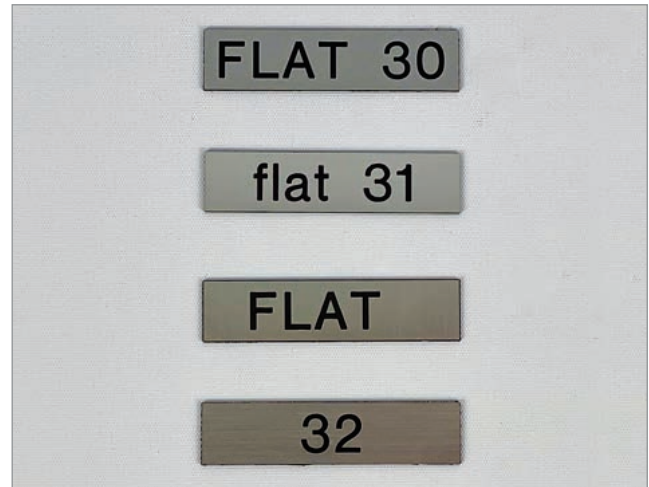


# ACCESSORIES

To complement our range of mailboxes, the following accessories are also available.  
For further information contact our sales team using the details below and we will be delighted to assist you.



Engraving



Nameplate



Locks and Keys



Extinguishing Agent



Intercom



Numerals

# LOCKING OPTIONS



## KL1000

### Simple Keyless Access

The KL1000 is a compact digital lock ideal for replacing keyed cam locks commonly supplied on a wide range of lockers, cabinets and mailboxes. Other colour options available.



## KL1050

### Smart Card Access

The KL1050 is a simple, smart card KitLock providing codeless and keyless access to lockers, cabinets and mailboxes. Other colour options available.



Salto Locking Options



Cam Lock



3 Point Locking

# COLOUR FINISHES

A range of special finishes including:

- Anolok Bronze
- UA Dye Colours
- Special Two-Tone Bronze
- Antique Brass
- Satin Brass
- Black Chrome



\*We offer a diverse range of finishes to suit all client's needs



Any RAL colour available as standard.



# SINGLE BOXES



## 6365V

### Specification

This sheet contains the technical data required by a manufacturer, client and potential customers. Specific details such as size, weight, colour, materials and overall dimensions have been included.

- Galvanized steel mailbox, body and door and flap.
- Suitable for external use.
- Mailbox Dimensions - 365x315x115mm (width, height, depth)
- Aperture - 315x30mm (width, height)
- Anti-theft lip to inner aperture.
- Available finishes – Black, White and Satin Stainless Steel
- Nameplate Holder comes as standard.
- Security lock: - Each mailbox is supplied with 2 keys as standard.
- Weight 1.5kgs.
- This model conforms to EN13724 (mailbox aperture accepts A4 post without folding/bending) and is Royal Mail approved.

### Optional Extras

- SAA Engraved Nameplates (Up to 20 Characters)
- Weatherproof Vinyl Stickers (No Constraints as we price per font and letter)

Images of our 6365V mailboxes can be viewed via our website: [www.mailboxesgb.co.uk](http://www.mailboxesgb.co.uk)

Also if you require samples of our boxes please allow 3 working days due to getting our product powder coated.

## SINGLE BOXES



### 4300R

A fantastic heavy duty, stylish, large capacity rear access gate/railings post box designed to complement any property. With no need to remove, cut into or alter any part of the railing, the vertical slot fits through the bars and is clamped into place.

Product details: H 550mm, W 300mm, D: 205mm  
Available in Black



### 6368V

- Galvanised Steel: Steel post box, all-over galvanised and powder coated in black or white.
- Modern and compact design
- Drop front opening to access mail and top opening letter flap for improved weather protection
- Stylish embossed post design to the front
- Accepts envelopes up to a size of C4 (W x H: 275 x 35 mm)
- Measurements H x W x D: 368 x 368 x 116 mm



### 6381S

- Wall mounted Mailbox made of high-grade stainless steel and break proof satinised plastic door.
- With chromium plated precision lock c/w 2 keys.
- Fixings Not included.
- Suitable for internal and external use
- Size: 380 x 340 x 148mm (width, height, Depth)
- Slot: 332 x 32mm (width, height)
- Available in set with an integrated newspaper box



### P3

- Material: galvanized steel with powder coating
- Body Thickness: 1.2mm
- Weight: 7.92kgs
- Size: W327 x D214 x H490mm
- Maximum Parcel Size: W260 x D70 x H130mm

# PARCEL BOXES



## P2 - Parcel Drop Box

A much large Parcel Drop Box which allows more than one parcel to be delivered at any one time. The Parcel Drop Box is made from galvanised steel and is screwed to a wall or floor. This secure parcel box features an anti-theft device to prevent fishing.

### Construction

- **Material:** galvanized steel with powder coating
- **Body Thickness:** 1.5mm
- **Door Thickness:** 2mm
- **Weight:** 33.46kgs
- **Size:** W 500 x D 375 x H 1000mm
- **Maximum Parcel Size:** W410 x D210 x H300mm



## P3 - Parcel Drop Box

Ideal for home deliveries when you're out, or commercial/business use.

### Construction

- **Material:** galvanized steel with powder coating
- **Body Thickness:** 1.2mm
- **Weight:** 7.92kgs
- **Size:** W 327 x D 214 x H 490mm
- **Maximum Parcel Size:** W 260 x D 70 x H 130mm



## P4 - Parcel Drop Box

Comes with a stylish two tier delivery system, with allocation for letters & parcels. Designed in galvanised steel with powder coating for protection making the box look good & functional.

### Construction

- **Material - Body/Door:** galvanized steel with powder coating
- **Body Thickness:** 1.0mm
- **Material - Letter Plate:** stainless steel
- **Colour - Letter Plate:** satin finish
- **Colour - Other Areas:** black
- **Weight:** 28.5kgs
- **Size:** W 449 x D 426 x H 1020mm
- **Maximum Parcel Size:** W 300 x D 200 x H 270mm

# PARCEL BOXES



## P11 - Parcel Drop Box

A front entry, rear retrieval model. Suitable for gated properties. The design is a much larger drop box which allows more than one parcel to be delivered at any one time. The Parcel Drop Box is made from galvanised steel & can be fitted in to a wall or gated property. This secure Parcel Drop Box features an anti-theft device to prevent fishing of mail or parcels.

### Construction

- **Material:** galvanized steel with powder coating
- **Body Thickness:** 1.5mm
- **Door Thickness:** 2mm
- **Weight:** 33.46kgs
- **Size:** W 500 x D 375 x H 1000mm
- **Maximum Parcel Size:** W 400 x D 180 x H 260mm



## P12 - Parcel Drop Box

A large stylish parcel drop box, which allows the delivery of a parcel; this can be bolted to a wall or floor, the heavy-duty mini parcel delivery box is made from weatherproof galvanized steel and is fitted with a tough locking system, keeping your items safe, secure and dry.

### Construction

- **Material:** galvanized steel with powder coating
- **Body Thickness:** 1.5mm
- **Door Thickness:** 2mm
- **Weight:** 17.35kgs
- **Size:** W 570 x D 418 x H 576mm
- **Maximum Parcel Size:** W 500 x D 300 x H 420mm



## Home Parcel Box

### Construction

- **Material:** galvanized steel with powder coating (matt grey and matt black)
- **Thickness:** 1.0mm
- With 3 point lock
- With screen printed parcels
- **Maximum size of parcel:** 34 x 22 x 25cm
- **Dimensions of home parcel box** 1100 x 500 x 335mm

# KEY CABINETS



**KC-20** - 20 Key Cabinet.

Available in 0.8mm Solid Steel Structure.  
 Dimensions : Body Size : 200 x 160 x 80mm.  
 Net Weight 1.1kgs



**KC-42** - 42 Key Cabinet.

Available in 0.8mm Solid Steel Structure.  
 Dimensions : Body Size : 350 x 270 x 80mm.  
 Net Weight 3.2kgs



**KC-100** - 100 Key Cabinet.

Available in 0.8mm Solid Steel Structure.  
 Dimensions : Body Size : 550 x 380 x 80mm.  
 Net Weight 7.5kgs



**KC-400** - 400 Key Cabinet.

Available in 0.8mm Solid Steel Structure.  
 Dimensions : Body Size : 550 x 730 x 140mm.  
 Net Weight 22kgs



**KC-600** - 600 Key Cabinet.

Available in 0.8mm Solid Steel Structure.  
 Dimensions : Body Size : 550 x 730 x 205mm.  
 Net Weight 29kgs



**KC-1170** - 1170 Key Cabinet.

Available in 1.0mm Solid Steel Structure.  
 Dimensions : Body Size : 1300 x 730 x 250mm.  
 Net Weight 60kgs



# CIGARETTE BINS



## MCB1

- Wall mounted cigarette bin in grade 304 brushed (satin) stainless steel finish.
- Internal removable tray to catch cigarette butts - easy to clean.
- Fixings included.
- Size: 265 x 110 x 280mm (width, depth, height)



## MCB2

- Wall mounted cigarette bin in grade 304 brushed (satin) stainless steel finish.
- Internal removable tray to catch cigarette butts - easy to clean.
- Fixings included.
- Size: 240 x 90 x 380mm (width, depth, height)



## MCB3

- Wall mounted cigarette bin in grade 304 brushed (satin) stainless steel finish.
- Unique touch free emptying system.
- Fixings included.
- Size: 175 x 100 x 380mm (width, depth, height)



## MCB6

- Wall Mounted Cigarette Bin In A Powder Coated Steel Body
- Fixings included.
- Size: 260 x 320 x 80mm (width, depth, height)



## MCB7

- Wall Mounted Cigarette Bin In A Satin Stainless Steel Finish.
- Fixings included.
- Size: 260 x 320 x 80mm (width, depth, height)



## MCG14

- Floor Mounted Cigarette Bin Powder Coated Black.
- Size: 200 x 1000 x 200mm (width, depth, height)



## MCB15

- Floor Mounted Cigarette Bin Grade 304 Brushed (Satin) Stainless Steel
- Size: 200 x 1000 x 200mm (width, depth, height)

# BIKE RACKS



## Double Stacker

Our Double Stacker meets all industry standard requirements and has some unique features of its own. A robust, quality product with self-supporting framework that allows for maximum use of available space.

- One up, one down storage solution
- Powder coated profiled handle
- Hot Dipped Galvanised to BN EN ISO 1461: 2009
- Custom fit layout drawings from our in-house design team
- Standard loading height 2400, centres 375
- Suitable for indoor and outdoor use



## Eltham

The Eltham cycle rack is a basic, cost-effective and versatile cycle storage solution, enabling you to store bikes securely in a vertical position, which allows for maximum usage of space. Eltham racks can be fixed directly to a wall, other suitable surfaces or onto a self-supporting frame.

- Vertical storage, either frame or wall mounted
- Very effective where space is limited
- Minimal load area
- 2 locking points
- Custom fit layout drawings from our in-house design team



## Semi Vertical

The Semi Vertical bike rack is one of our most popular products, its practical, cost effective & easy to install. The trough is made from pre galvanised sheet metal, it has two locking positions & is mounted to framework allowing for maximum use of space.

- Reduced load area
- Pre-galvanised trough
- Powder coated options available
- Two locking positions
- Custom fit layout drawings from our in-house design team

# ACCESS PANELS



## ACCESS PANELS

**Material:** Galvanized Steel

**Thickness:** 1mm

**Lock:** Panel Lock c/w Triangle Key

**Finish:** Powder Coated RAL 9016 White (available in any standard RAL)

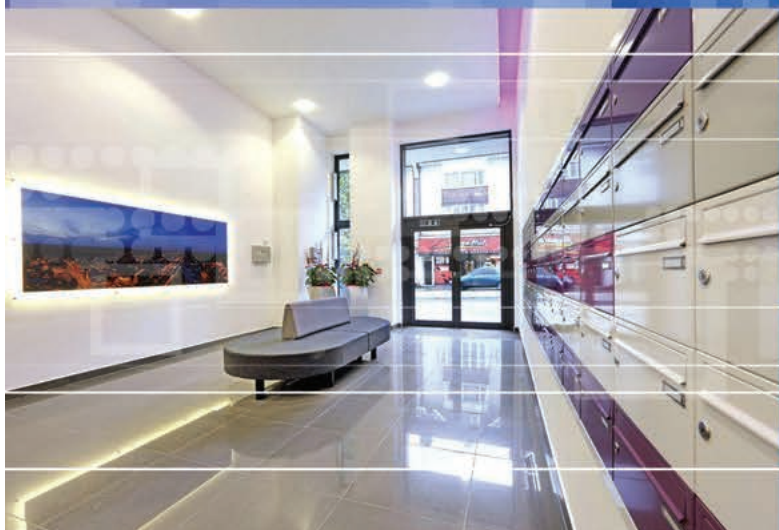
MAP-150    SIZE 150 X 150 MM

MAP-300    SIZE 300 X 300 MM

MAP-450    SIZE 450 X 450 MM

MAP-600    SIZE 600 X 600 MM





mailboxesgb

Aspec House, Middlemore Lane,  
Aldridge, Walsall, West Midlands WS9 8SP, UK

Telephone: 01922 452111

Email: [info@mailboxesgb.co.uk](mailto:info@mailboxesgb.co.uk)

[www.mailboxesgb.co.uk](http://www.mailboxesgb.co.uk)

Distributed by: